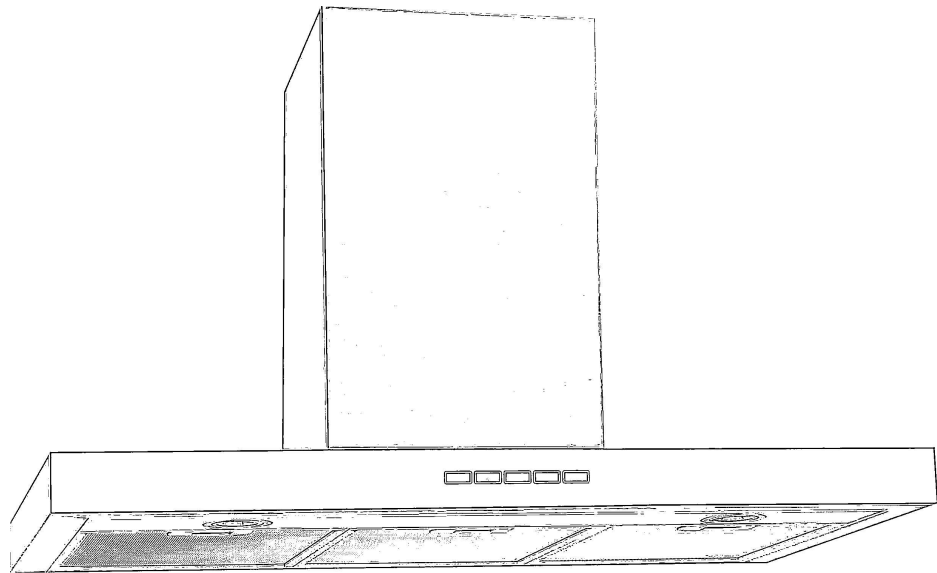


# EUROTECH 90CM WALL CANOPY RANGEHOOD

ED-RIGEL90BK

## INSTRUCTION MANUAL



PLEASE READ THIS MANUAL CAREFULLY BEFORE  
USING YOUR PRODUCT AND KEEP IT FOR  
FUTURE REFERENCE.

## Content

<b>1. Notice</b>	<b>1</b>
<b>2. Feature</b>	<b>1</b>
<b>3. Installation</b>	<b>1</b>
<b>4. Change lamp</b>	<b>2</b>
<b>5. Installation Procedure</b>	<b>3</b>
<b>6. Safety Warning</b>	<b>3</b>
<b>7. Use</b>	<b>4</b>
<b>8. Potential Problems/Solutions</b>	<b>5</b>
<b>9. Electrical Diagram</b>	<b>6</b>
<b>10. Main Parameters</b>	<b>6</b>
<b>11. Clean</b>	<b>7</b>

## RANGE HOOD

### 1. Notice

- 1.1 Thank you for choosing this range hood. Please read the manual carefully before installation or use.
- 1.2 The installation work must be undertaken by a qualified and competent person who is experienced in installing items used for the removal of contaminated air. Please ensure all liability for any power is connected.
- 1.3 The manufacturer disclaims all liability for damage or injury caused as a result of not following the instructions for installation contained in the following text.
- 1.4 The appliance is not intended for use by young children or infirm persons without supervision.
- 1.5 Young children should be supervised to ensure that they do not play with the appliance.
- 1.6 The Max. number of hobs covered by range hood should not exceed 4.

### 2. Feature

- 2.1 Our range hoods are manufactured from top quality materials, and offer a superb streamlined effect.
- 2.2 Equipped with large power, low noise, electric motor and centrifugal leaf, it offers characteristics of strong suction, low noise, oil non stick, and is easy to clean.
- 2.3 The special wind tunnel construction and oil collector design ensures dirt will be absorbed or bed in a second.

### 3. Installation

- 3.1 The range hoods should be mounted at a distance of 650mm~700mm from the cooking surface for safety & optimum performance ( If the instructions for installation for the gas hob specify a greater distance, this has to be taken into account). (See pic I) . That exhaust air must not be discharged into a flue which is used for exhausting fumes from appliances burning gas or other fuels.

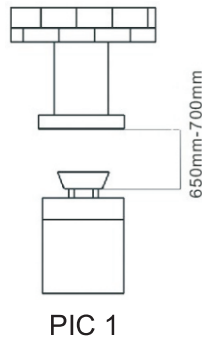
3.2 Ensure that the ceiling to be mounted on is sufficiently sturdy to handle the weight of the hood.

3.3 Check that the hood is level and that it does not Vibrate excessively when in operation.

3.4 Do not connect to a common vent with other With other appliance such as gas heater, water heater Laundry dryer etc.

3.5 Check to make sure that the electric chord is not In contact with sharp edges of the appliance.

3.6 Be sure that the plug is accessible after installation.

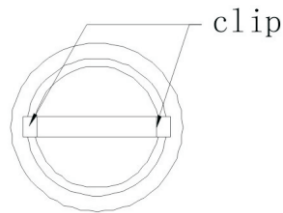


PIC 1

#### 4. Change lamp

Change LED lamp

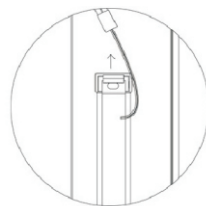
1. Turn off the power supply by unplugging from the wall socket.
2. From the rear of the lamp socket, detach the Low-voltage electric connector.
3. Press the lamp's clip to take out the lamp Holder (see pic 2).
4. Replace the lamp (LED Lamp Max. 1.5W) And then reinstall in the reverse manner.



PIC 2

Change Strip LED lamp

1. Turn off the power supply by unplugging from the wall socket.
2. Unfasten the screws on the glass canopy Remove the glass.
3. Detach the low voltage electric connector.
4. Then unfasten the screws on the lamp (see pic 3).
5. Replace the lamp (LED Lamp Max.2W) and then Reinstall in the reverse manner.



PIC 3

#### 5. Installation Procedure

5.1 Take out the whole subassembly from the package box. The hood should stand upside down.

5.2 Detach the lamp panel and front fixed board of glass.

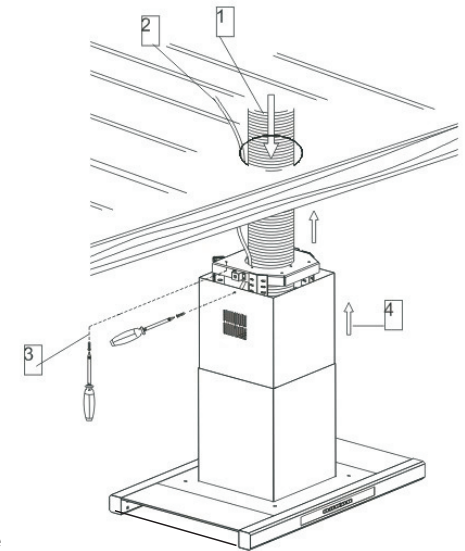
5.3 Attach the canopy with screws which are unfastened.

5.4 Adjust the brackets to the desired height.

5.5 Install the duct on the air outlet.

5.6 Lift up the hood and mount the ceiling frame to the ceiling ensuring that it is sturdy enough to handle the weight of the hood. Then connect the power and ducting system.

5.7 Slide the inner flue upwards slowly & carefully to avoid scratch. Ensure the position with 2 screws onto the ceiling frame.



PIC 4

#### 6. Safety Warning

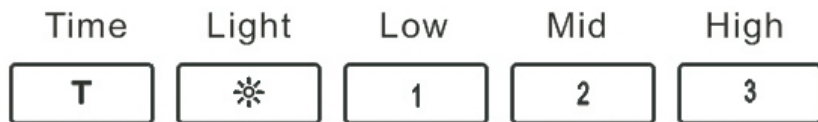
- \* There shall be adequate ventilation of the room when the range hood is used at the same time as appliances burning gas or other fuels.
- \* Do not check the status of the filters while the range hood is operating.
- \* Do not touch the light bulb within half an hour after appliance use.
- \* Avoid opening gas valve when there is no pan on the stove, as it is damaging for the filters and a fire hazard.
- \* Constantly check food frying to avoid that the overheated oil may become a fire hazard.
- \* Disconnect the electrical plug prior to any maintenance.
- \* The air must not be discharged into a fuel that is used for exhausting fumes form appliances burning gas or other fuels.
- \* This appliance is not intended for use by young children and infirm person unless they have been adequately supervised by a responsible person to ensure that they can the appliance safely.
- \* Young children should be supervised to ensure that they do not play with the appliance.

- \* The range hood is for home use only and is not suitable for barbecue, and other commercial premises.
- \* Ensure a suitably qualified technical person assembles this hood.
- \* The range hood and its filter mesh should be cleaned regularly in order to keep a good suction effect.
- \* Before cleaning, please confirm that the power is switched off.
- \* Clean the range hood according to the instruction manual and ensure the range hood is in no danger of burning. There is a fire risk if cleaning is not carried out in accordance with the instructions.
- \* The regulations concerning the discharge of exhaust air have to be fulfilled.
- \* If any problems occur with the system or the suction ensure that only a suitably qualified person effect any repairs or inspection.
- \* Please keep the kitchen well aired at all times.
- \* The exhaust should not mix the waste gas with gas of other extracting appliance.
- \* Prior to any maintenance operation ensure that the range hood is disconnected from the power supply.
- \* Don't flame under the range hood.
- \* If the supply cord is damaged, it must be replaced by the manufacturer or its service agent or a similarly qualified person in order to avoid a hazard.

## 7. Use

3 Speed adjustment see pic5

- Touch Light button, and the lighting lamps will be turn on. Push it again the lamp will be turn off .
- Touch the Low button, and the motor runs at low speed.
- Touch the Mid button, and the motor runs at mid speed.
- Touch the High button, and motor runs at high speed.
- On any speed, Touch " T " button, the delay timer will switch off the hood after 5 minutes.



PIC 5

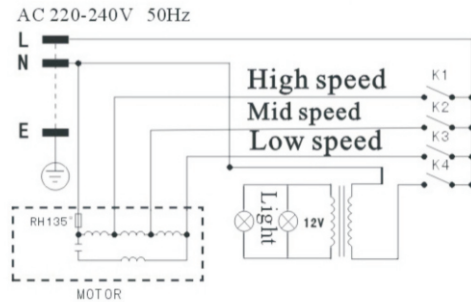
## 8. Potential Problems/Solutions

If any problem occurs, please remove the plug from the socket and contact the manufacturer or its service agent or a similarly qualified person in order to avoid a hazard.

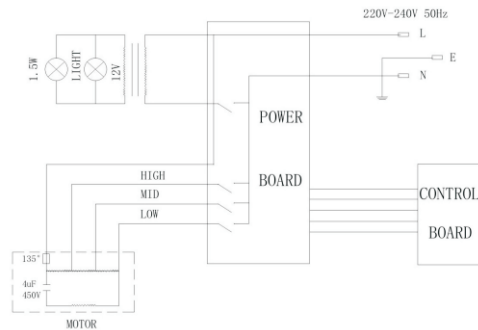
Problem	Cause	Solution
Light on, but motor does not work	The leaf blocked	Get rid of the blocking
	The capacitor damaged	Replace capacitor
	The motor jammed bearing damaged	Replace motor
	The internal wiring of motor off or a bad smell from the motor	Replace motor
Light does not work, motor does not work	Beside the above mentioned, check the following	
	Light damaged	Replace lights
	Power cord looses	Connect the wires as per the electric diagram
Oil leakage	One way valve and the air ventilation entrance are not tightly sealed	Take down the one way valve and seal with soap or paint
	Leakage from the connection of U shaped section and cover	Take U-shaped section down and seal with soap or glue
Body shaking	The leaf damaged and caused shaking	Replace the leaf
	The motor is not tightly locked	Lock the motor tightly
	The body is not tightly hanged	Fix the body tightly
Insufficient suction	The distance between the body and the gas top of too long	Readjust the distance
	The Hood may be installed too close to windows or door which when open may cause excessive wind interference	Choose a new place and reinstall the machine
The machine inclines	The loose of the fixing screw	Fix tightly the hanging screw and make it horizontal
	The loose of the hanging screw	Fix tightly the hanging screw and make it horizontal

## 9. Electrical Diagram

### Mechanical control



### Electronic control&Touch control



## 10. Main Parameters

Rated Input	220V~240V,50Hz
Rated Power	144W
Lighting Power	1.5WX4
Motor Power	138W
Drive Mode	Single Motor
Air tube diameter	150mm

## 11. Clean

\* Before cleaning, Please confirm that the power is switched off

11.1 Cleaning the surface of hood every week. Use mild soap or detergent to clean the hood.

11.2 Avoid the use of scouring powers of dishwasher compounds.

11.3 Grease filter may be washed using mild soap or detergent when use it three months. (heavy grease build up may not be cleaned easily and the filter may require replacement)

11.4 Do not use harsh alkalis or abrasives.

11.5 Charcoal filters cannot be cleaned and must be replaced when use it six months.