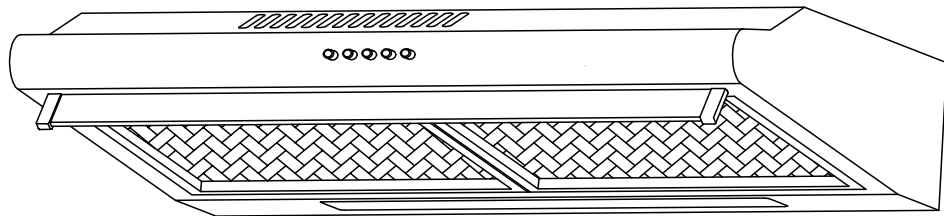


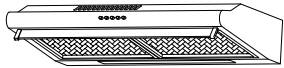
EUROTECH 60CM WALL CANOPY RANGEHOOD

ED-RHW60WH

INSTRUCTION MANUAL



PLEASE READ THIS MANUAL CAREFULLY BEFORE
USING YOUR PRODUCT AND KEEP IT FOR
FUTURE REFERENCE.

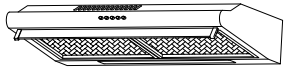


Information and advice

CAUTION: Accessible parts may become hot when used with cooking appliances.

In certain circumstances electrical appliance may be a danger hazard.

- A) There must be adequate ventilation of the room when the cooker hood is used at the same time as appliances burning gas or other fuels.
- B) Do not check the status of the filters while the cooker hood is operating.
- C) Do not touch the light bulb within half an hour after appliance has been use.
- D) Do not light a flame under the cooker hood.
- E) Avoid opening gasometer when there is no pan on the stove, as it is damaging for the filters and a fire hazard.
- F) Constantly check food frying to avoid overheated oil splashing and becoming a fire hazard.
- G) Disconnect the electrical plug prior to any maintenance.
- H) Regulations concerning the discharge of air have to be fulfilled.
- I) When the range hood and appliances supplied with energy Other than electricity are simultaneously in operation. The negative pressure in the room must not exceed 4 Pa (4×10^{-5} bar)



Information and advice

CAUTION: Accessible parts may become hot when used with cooking appliances.

J) If the supply cord is damaged, it must be replaced by the manufacturer, its service agent or similarly qualified persons in order to avoid a hazard.

K) This appliance can be used by children aged from 8 years and above and persons with reduced physical, sensory or mental capabilities or lack of experience and knowledge if they have been given supervision or instruction concerning use of the appliance in a safe way and understand the hazards involved. Children shall not play with the appliance. Cleaning and user maintenance shall not be made by children unless they are older than 8 and supervised.

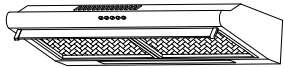
L) The range hood is intended to be installed over a hob having no more than four hob elements.

M) Indoor use and household use only

N) When the appliance is not in use and before cleaning, unplug the appliance from the outlet.

O) Attention ! Observe the warning in the instruction sheet concerning the operation of the appliance when air is discharged from the room

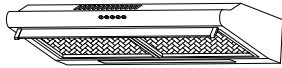
P) There is a fire risk if cleaning is not carried out in accordance with the instructions.



Information and advice

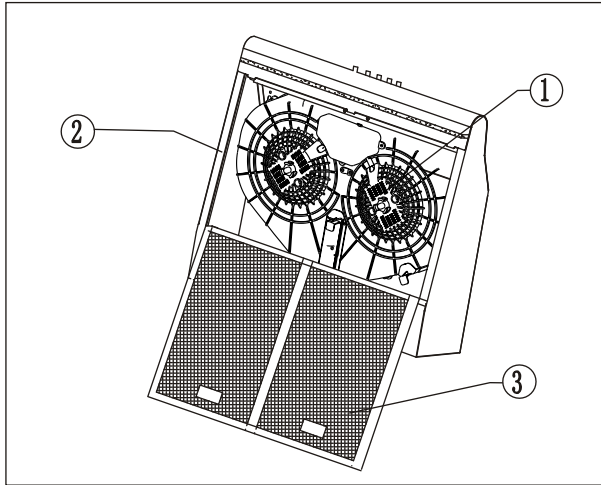
CAUTION: Accessible parts may become hot when used with cooking appliances.

- Q) The air must not be discharged into a flue that is used for exhausting fumes from appliances burning gas or other fuels (not applicable to appliances that only discharge the air back into the room).
- I) Children should be supervised to ensure that they do not play with the appliance.
- S) Warning: Failure to install the screws or fixing device in accordance with these instructions may result in electrical hazards.
- T) The installation height of hood shall not be less than 65cm.
- U) The filter screen must be cleaned regularly, otherwise there is a danger of fire.
- V) The installation must be carried out according to the screws and positions required by the instructions, which will easily damage the connecting wires.



Know your cooker hood

Please read these instructions before using your cooker hood



1. Air duct assembly 2. Main body
3. Filter assembly

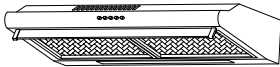
Also included:

- *Damper flap
- *User instructions



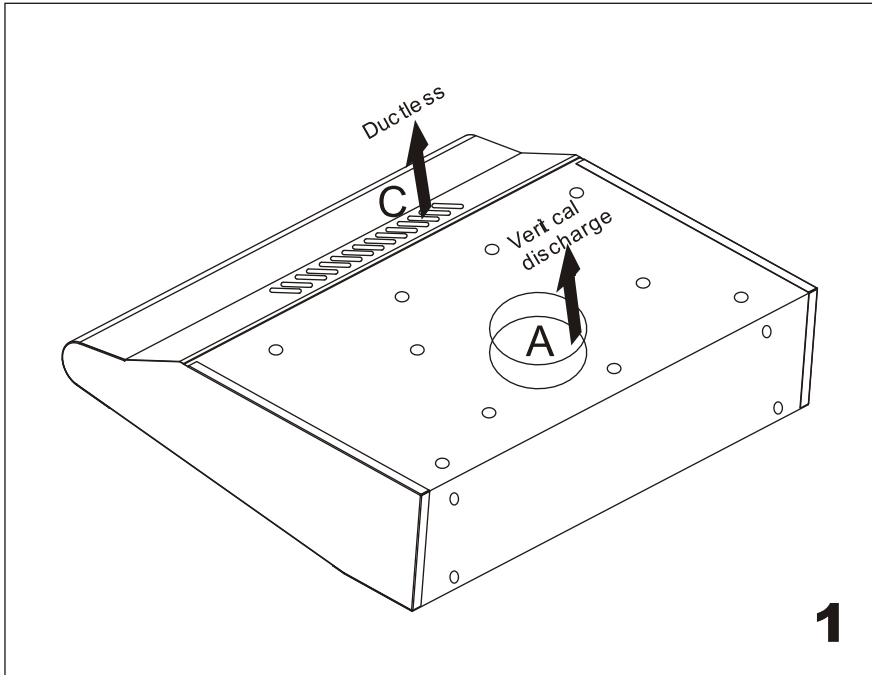
Information

Congratulations on the purchase of our Cooker hood, which is designed to include many superior features that permit you the fullest expression of your living. Before installing and/or using the cooker hood carefully read all the instructions.



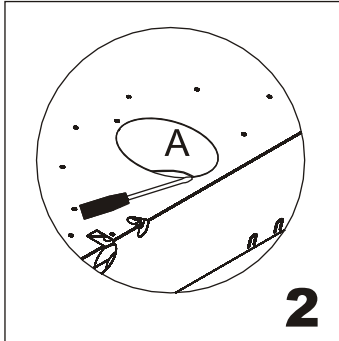
Selection of Venting Direction

Fully convertible for vertical, ductless operation.



Information

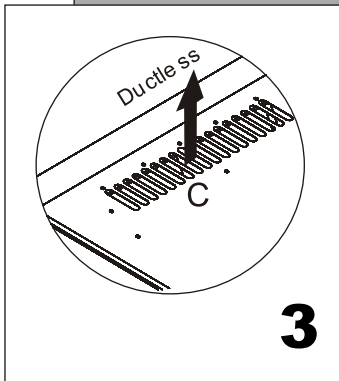
The air must not be discharged into a flue that is used for exhausting fumes from appliances burning gas or other fuels. Regulations concerning the discharge of air have to be fulfilled.



Vertical discharge

Vertical is the most common.

If you select this venting direction, you only need to open the ducting knockout A. Remove the ducting knockout by inserting a Flat head screwdriver under one end and prying it up. Then snip or break the attachment points by tin snips. You must make sure that the ducting knockout B is not removed.



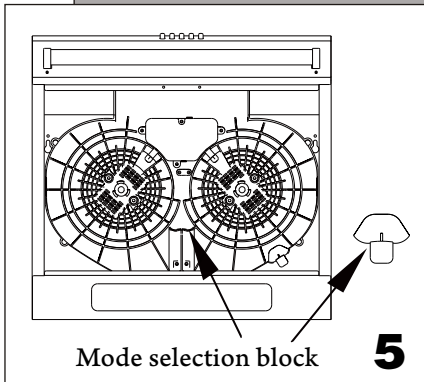
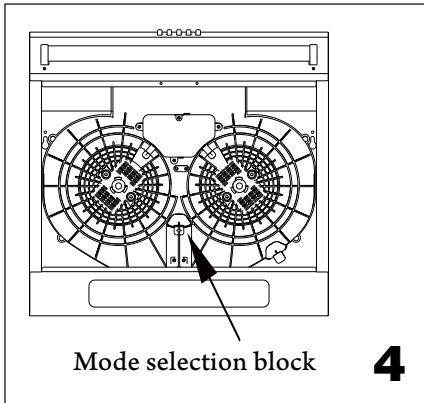
Ductless

In a ductless installation the air is re-circulated back into the kitchen. If you do not anticipate heavy cooking this method will be preferred. It will not be necessary to remove any duct knockouts, you only need chose knockout C. You should use filters to help remove cooking odors. These filter must be washed and replaced at regular intervals.



Information

Sufficient air is needed for proper combustion and exhausting of gases through the flue (chimney) of fuel burning equipment to prevent back drafting.

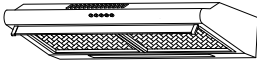


To select recirculation mode, remove the mode block at the position indicated in fig 5 , and to select ducted operation, insert mode block into the position indicated in fig 4.



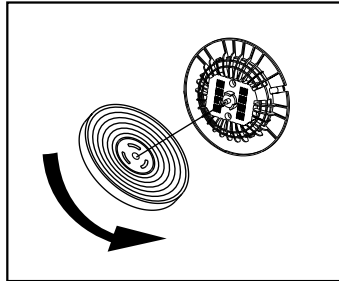
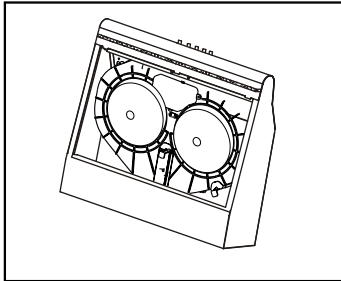
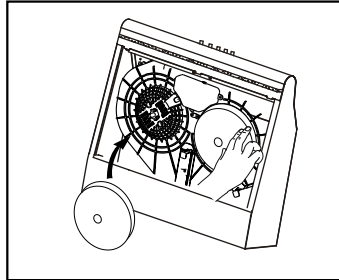
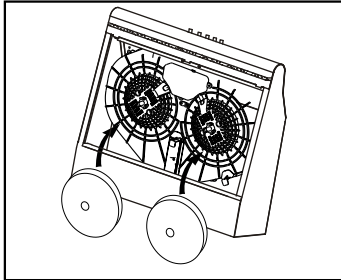
Information

Ductless fans must always be vented to the outdoors.



Know your cooker hood

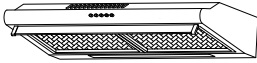
Please read these instructions before using your cooker hood



6

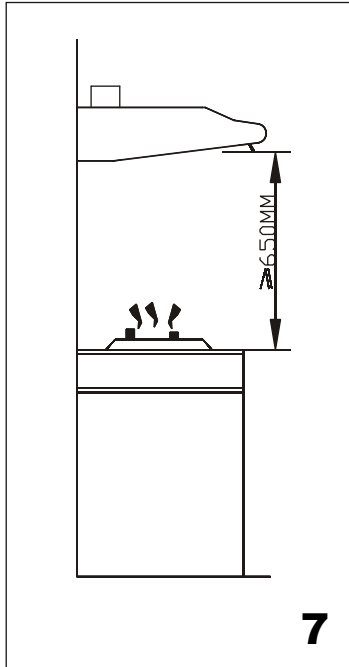
**Only for re-circulation:
mount the charcoal filter**

*Replace the charcoal filter
(charcoal filters can be
supplied as options)*



Installation

Ensure the power has been turned off before beginning this installation.



To install this hood you will require two assistants.

You will need the following tools and material to complete this installation:

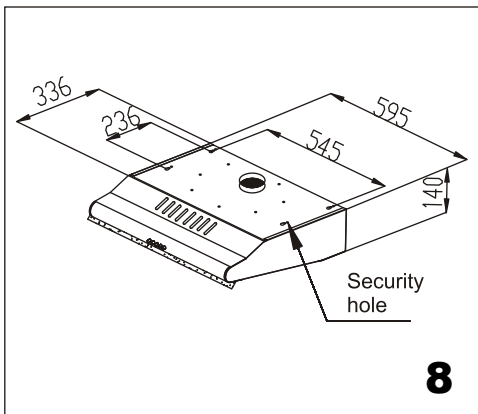
*Drill*Flat head screwdriver*Phillips head screwdriver or cordless drill and Phillips head bit*Tin snips*3/8" nut driver or ratchet with extension*measuring tape*hand saw or jig saw*electrical tape*duct tape

1. Remove the range hood from the carton.
2. Lay the hood upside down on a table covered with cardboard or paper to prevent scratching of the table or hood.
3. Hood installation should be within 0.8m radius range.
4. We recommend that after installation the bottom of the hood should be no less than 650mm and no more than 750mm above the stove's heating elements and burners.



Information

Installation work and electrical wiring must be done by qualified person(s) in accordance with all applicable codes and standards, including fire-rated construction.



1. According to the figure, make sure the position of hood in the cabinet. The wood strips should be line up with the 4 keyholes slots on the top of the range hood. On the cabinet, install 4 screws (supplied) according to the relative position of 4 key holes on the bottom of hood. The extent of screwing should be convenience to the next installation.

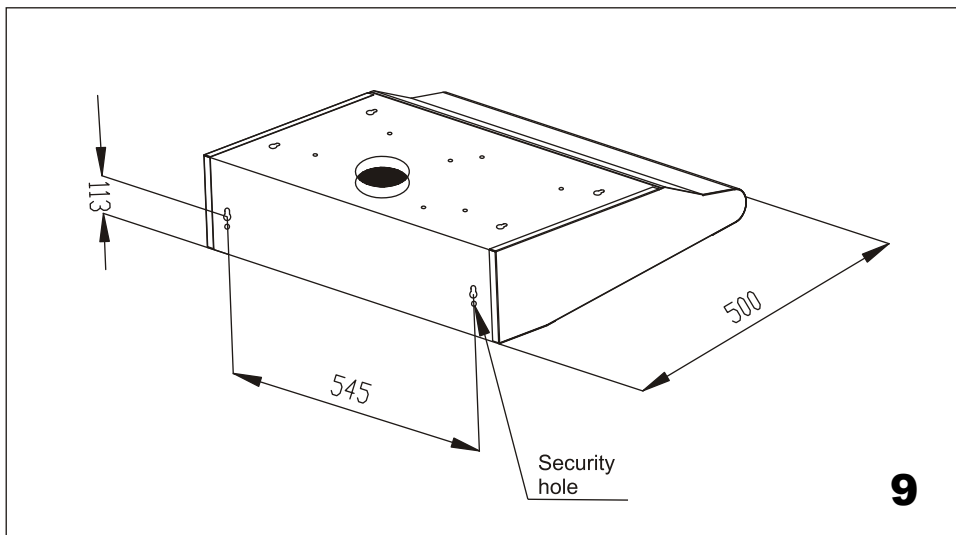
2. Hang the hood and let it's 4 key holes aim at screws, the 4 screws should be in the narrow parts of key holes. Screws should be fasten firmly, make sure that the installation between the hood and cabinet is enough fasten.

3. Install screws in the security holes, in case of front and back moving of hood, so that the using is safer.



Information

When cutting or drilling into wall or ceiling, do not damage electrical wiring or other hidden utilities.



Information

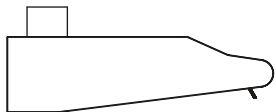
The cooker hood must be installed and connected to flues where other appliances are installed and which run off other energy supplied different to electricity (water heaters boiler cookers (range/agas) etc.).

If the installation surface in cabinet don't adapt to install the cooker hood, then as per FIG. 5, fix the position of cooker hood on the wall. On the wall, install 2 screws (supplied) according to the relative position of 2 key holes on the back of hood. The extent of screwing should be convenience to the next installation. Also install screws in the security holes, in case of front and back moving of hood, so that the using is safer.



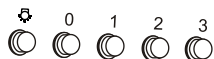
Hood Using Method

Turn the hood ON when cooking at high heat or when cooking flaming foods.



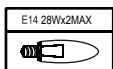
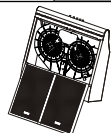
10

1. Adjust the knob to be right position.
2. Insert the power plug firmly.



11

Press the the switch of light to be on, the bulbs light on. Otherwise the bulbs don't work. When press the push button "1": on, the motor runs at low speed. When press the push button "2" on, the motor runs at middle speed. When press the push button "3" on, the motor runs at high speed. When press the push button "0" on, the motor stops running.



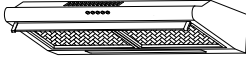
12

Replacing Bulb: Removing the bulb that need to be replaced, then reinstall the new bulb. The power of bulb must not be more than 28W.



Information

Clean ventilating fans frequently. Grease should not be allowed to accumulate on fan or filter.



Cleaning Instructions

Disconnect range hood from power supply before cleaning or servicing.

1. Cleaning the surface of hood frequently. Use mild soap or detergent to clean the hood.
2. Do not use harsh alkalis or abrasives.
3. Avoid the use of scouring powers or dishwasher compounds.
4. Grease filter may be washed using mild soap or detergent. (heavy grease build-up may not be cleaned easily and the filter may require replacement)
5. Charcoal filters cannot be cleaned and must be replaced regularly.



Information

When cleaning, water must not inter into motor, control switch etc. electrical parts.

Correct Disposal of this product



This marking indicates that this product should not be disposed with other household wastes throughout the EU. To prevent possible harm to the environment or human health from uncontrolled waste disposal, recycle it responsibly to promote the sustainable reuse of material resources. To return your used device, please use the return and collection systems or contact the retailer where the product was purchased. They can take this product for environmental safe recycling.

The manufacturer shall decline all responsibility if the foregoing recommendations and instruction regarding installation, maintenance and use are not observed and respected when using the cooker hood.